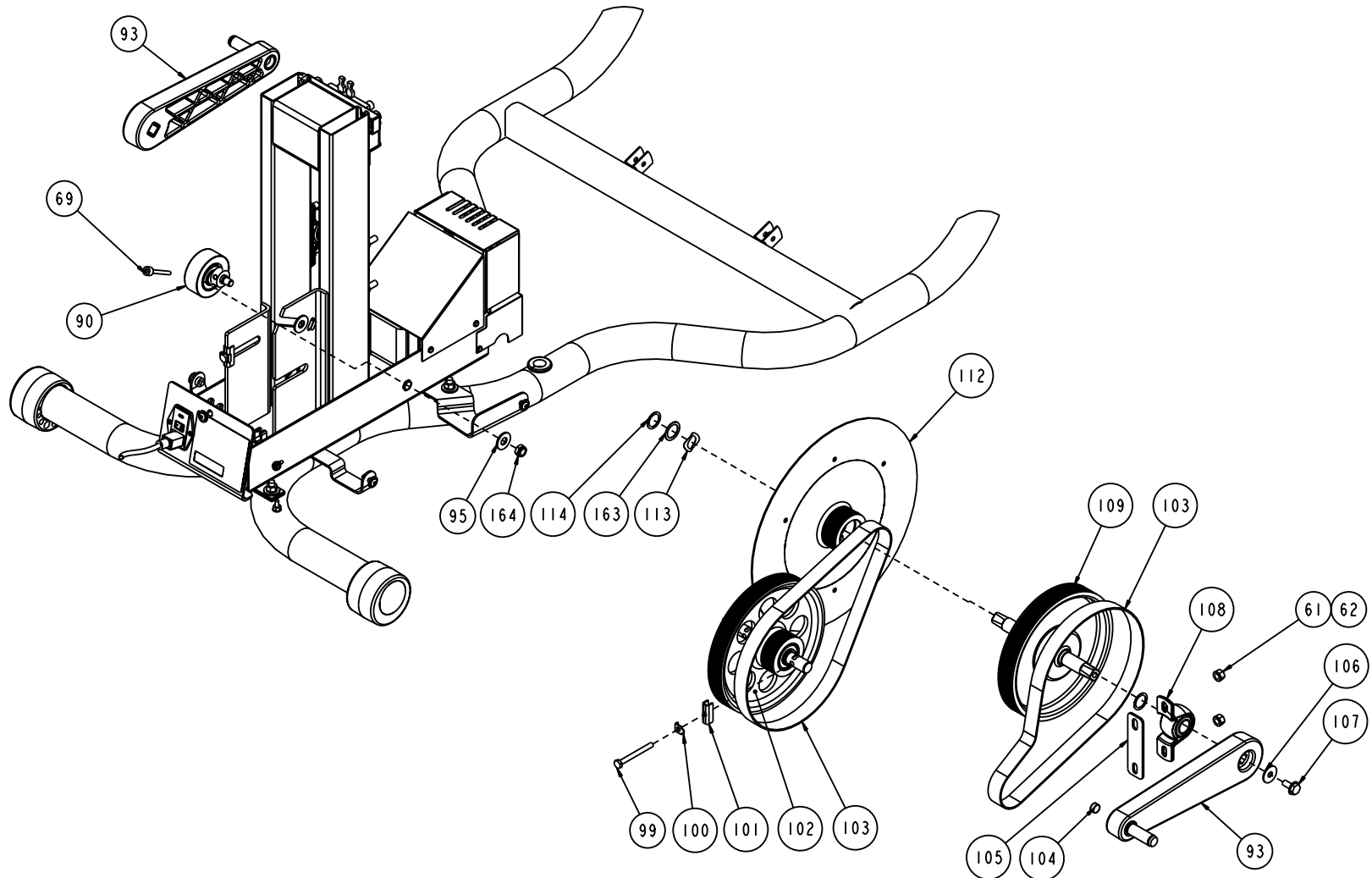
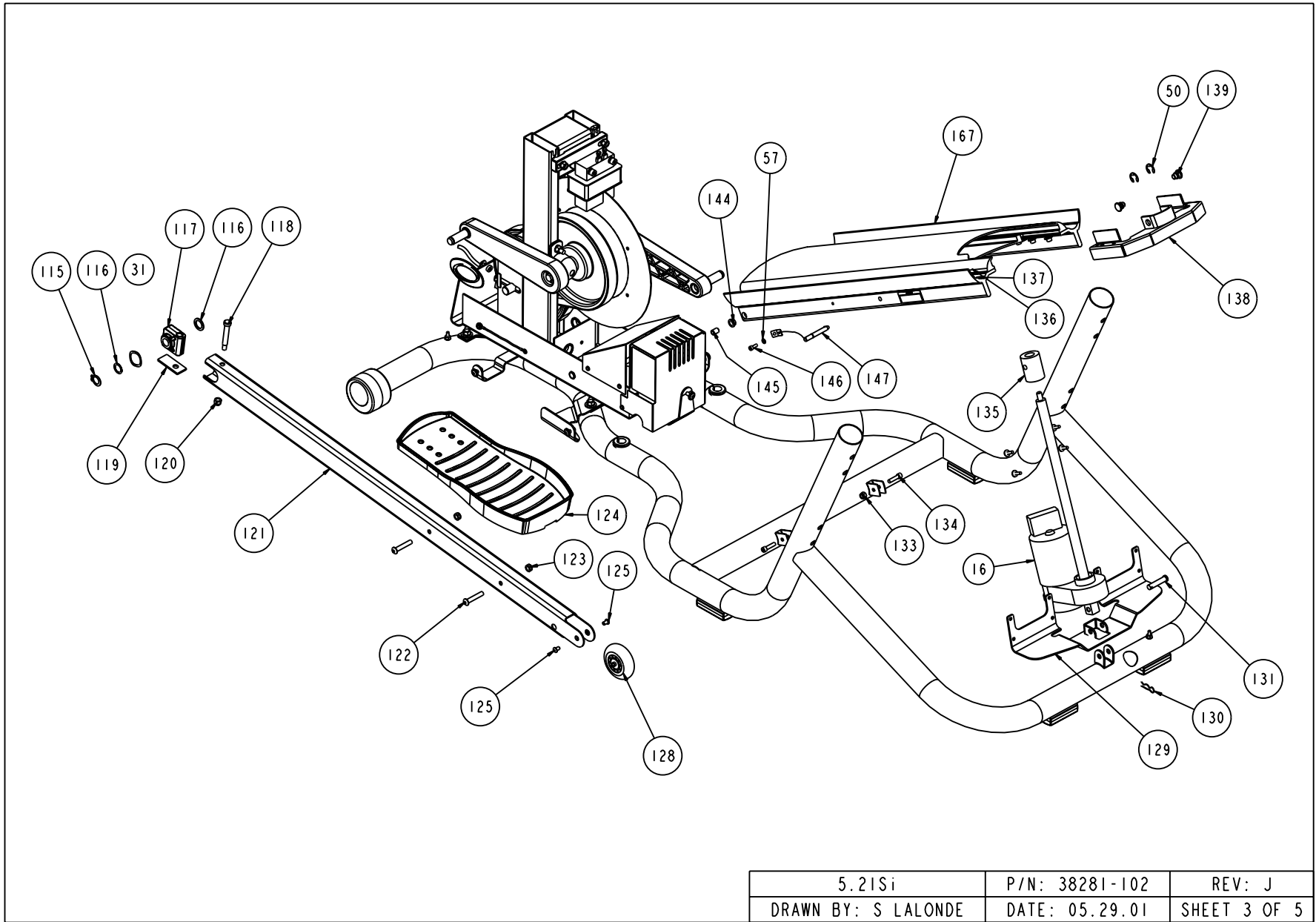


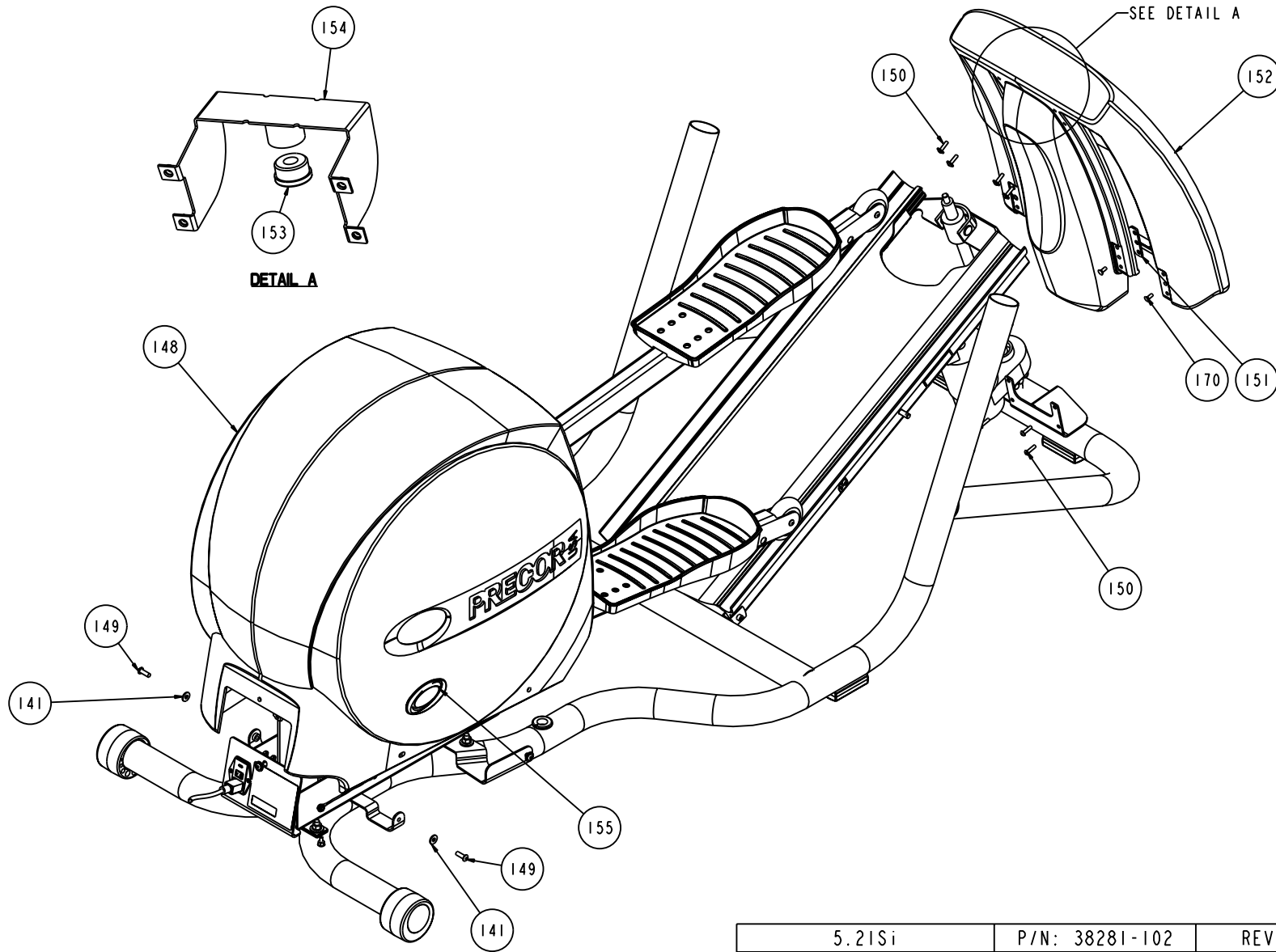
5.21Si	P/N: 38281-102	REV: J
DRAWN BY: S LALONDE	DATE: 05.29.01	SHEET 1 OF 5



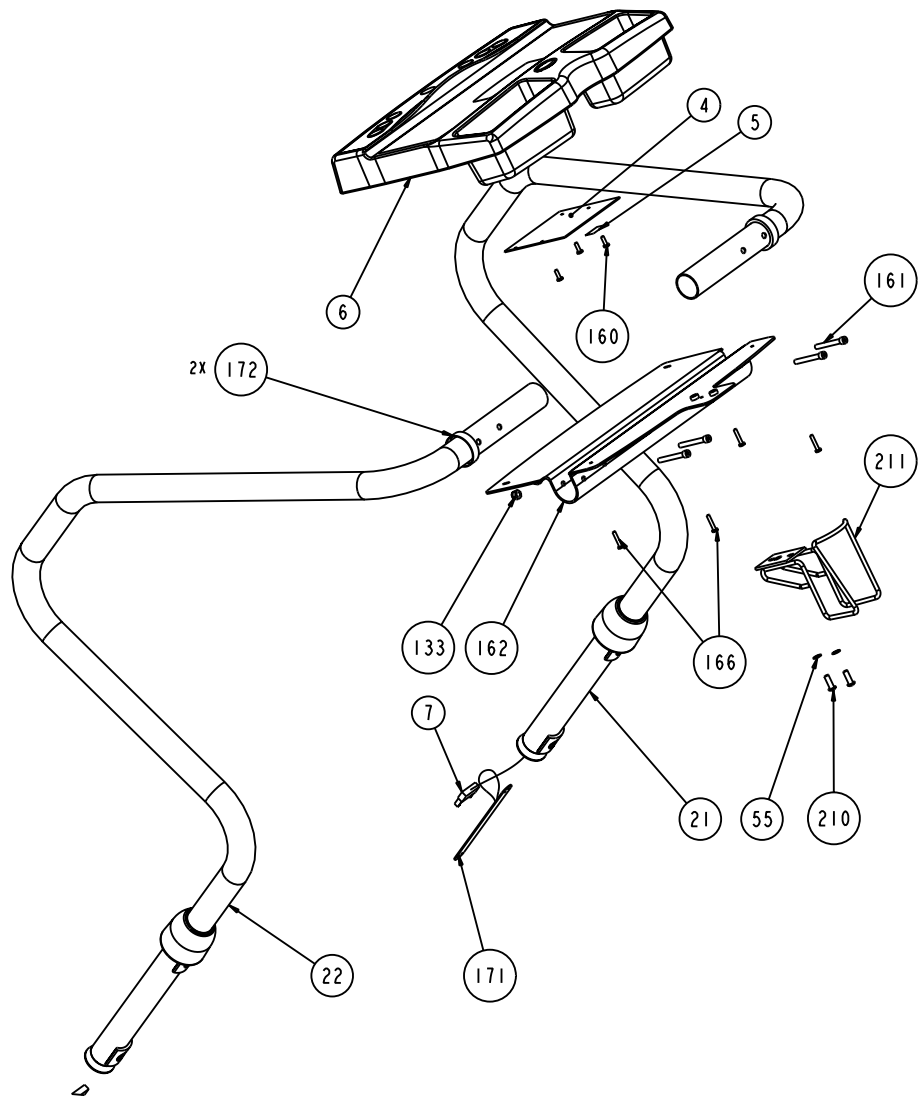
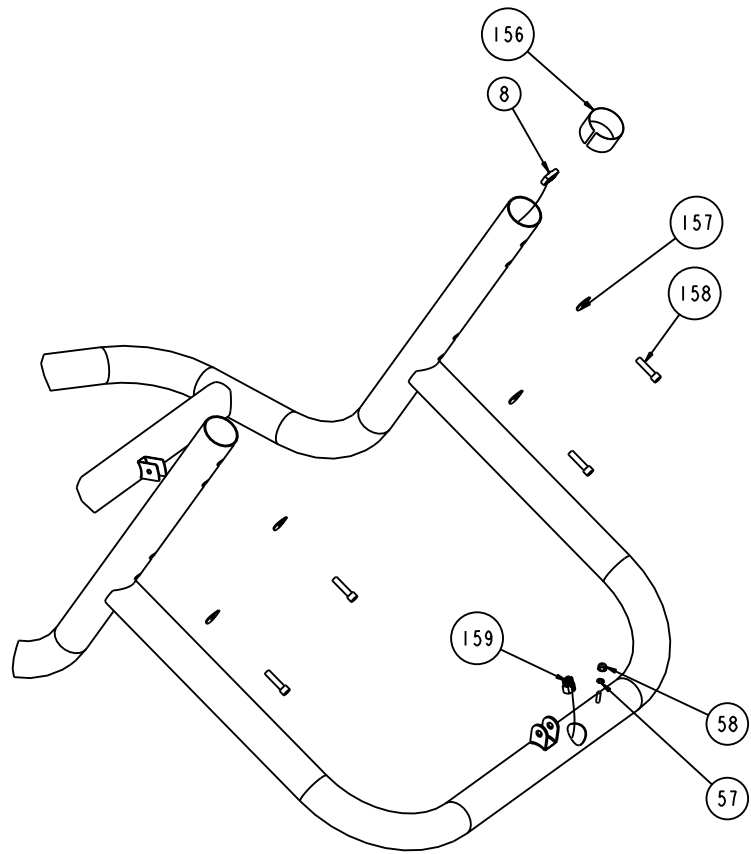
5.21S1	P/N: 38281-102	REV: J
DRAWN BY: S LALONDE	DATE: 05.29.01	SHEET 2 OF 5



5.21Si	P/N: 38281-102	REV: J
DRAWN BY: S LALONDE	DATE: 05.29.01	SHEET 3 OF 5



5.21Si	P/N: 38281-102	REV: J
DRAWN BY: S LALONDE	DATE: 05.29.01	SHEET 4 OF 5



5.21Si	P/N: 38281-102	REV: J
DRAWN BY: S LALONDE	DATE: 05.29.01	SHEET 5 OF 5

Bubble #	OEM Part Number	Part Description
1	38059-202	WELDMENT,FRAME,5.21SI,PT
4	43114-104	ASSY, PCA & SW, 5.21SI
5	38285-106	PROM, PROGRAMMED, 5.21SI, VER. 1.06
6	38267-101	ASSY,DISPLAY ENCLOSURE,521SI
7	37878-101	ASSY,CABLE, 26AWG, INTERCONN.,
8	37874-101	CABLE,INTERCONNECT LOWER COIL
9	38952-103	PCA,EFX LOWER,PARALLEL
11	37301-103	ASSY, REMOTE SENSOR
16	38280-102	ACTUATOR,LIFT,5.21SI
21	38274-101	ASSY,HANDLEBAR,LEFT
22	38274-102	ASSY,HANDLEBAR,RIGHT
24	12167-101	PWR ENTRY MOD & FILTER,250VAC,3A
24	10714-101	SWITCH,ROCKER,DPST,PANEL MT
31	10248-103	WASHER, WAVE, .87 OD X .62 ID
50	10133-108	E-RING,.50 DIA X .42 THICK
51	11255-102	SCR,M3X8MM,PHIL,ZN
54	37175-103	ASSY,GROUND STRAP,3"
55	10013-107	WASHER, LK-INT, ID=.25,
56	10003-124	SCREW,SKHD,1/4-20X1,BLK ZN,LK
57	10013-102	WASHER, LK-INT, #10, ID=.200,
58	10021-102	LOCKNUT, STARWASHER 8-32, HEX
59	10140-108	SCREW,S/T,#6X3/4,FLTHD,PHIL,
60	11295-101	GROM,RND,MLD ,11/16 ID X
61	10010-102	WASHER, FLT, 5/16X.875X.083
62	10021-101	LOCKNUT,STARWASHER,5/16-18,1/2
63	11278-101	CABLE CLAMP,INSERT
64	10138-110	SCREW,MCH,8-32X5/8,PANHD,PHIL,
65	10138-117	SCREW,MCH,8-32X1/4,PANHD,PHIL,
66	37535-101	FOOT, FIXED
67	10141-108	SCREW,S/T,#10X3/4,WSHRHXHD,ZN,
68	40748-101	SHIELD, PCA, LOWER
69	10003-131	SCREW,SKHD,10-32X1.75,BLK ZN,LK

Bubble #	OEM Part Number	Part Description
70	10323-105	WASHER, #10 SPLIT LOCK, ZINC
71	10010-105	WASHER, FLT, #10X.500X.049,ZN
72	39314-101	ELECTROMAGNET,EC BRAKE,
74	37947-101	BRACKET, MAGNET, 546
77	11284-101	GROM, HORSE SHOE, 3/4W X 3/4L
78	38237-102	ASSY,CABLE,PCA/MAGNET
79	38938-201	WELDMENT,DRIVE ASSY,PT, 521SI
80	11276-101	BUSHING,SNAP,SPLIT,ID=51/64,
81	37436-101	LABEL, CHASIS NEUTRAL
82	33984-101	LABEL, SAFETY, GROUND SYMBOL
83	10021-102	LOCKNUT, STARWASHER 8-32, HEX
84	38826-202	BRACKET, PLUG,PT,C546
86	37520-101	CBL, FUSE,18AWG,16/30,600V,BRN
87	37534-102	FOOT, ADJUSTABLE
90	43928-101	ASSY, IDLER PULLEY
93	43456-101	CRANK ARM - W/POWDER METAL INSERT
94	10009-103	LOCKNUT, FULL, 3/8-16, ZINC
95	11332-102	WASHER,GRADE 8,3/8,.438-=ID,
97	10010-133	WASHER,FLT,.935X.029,STL
99	10002-112	SCREW,1/4-20X2-1/2,HEX,GR 2,ZN
100	37855-102	TAB, LOCKING
101	37385-101	BRACKET, TENSIONER
102	50538-102	ASSY, STEP UP PULLEY, C546
103	10217-119	BELT,POLY-V,32 , 320J10
104	11286-101	MAGNET, NEODYMIUM 30, DIA=.50
105	38304-201	SPACER,SHAFT,INPUT,5.21SI
106	10010-128	WASHER,FLT, .321X1.00X.090 THK
107	11213-102	BOLT,SHIMANO CRANK,M8X18MM, NYLK
108	11245-103	BUSHING,HEAVY DUTY PILLOW BLK
109	38241-101	ASSY,INPUT PULLEY/SHAFT
112	50537-103	ASSY,FLYWHEEL
112	36879-104	PIN, LIFT

Bubble #	OEM Part Number	Part Description
113	10248-108	WASHER, WAVE .1.05 O.D., .755
114	10010-129	WASHER,SHIM, .75X1.00X.010 THK
115	10133-103	RING, RETAINER, 5/8, EXTERNAL
116	10010-125	WASHER, FLT, 5/8X.880X.010
117	38301-101	ASSY,PIVOT BLOCK
118	10193-117	SCREW,SHLDR,3/8 X 2 ,HEX
119	37720-501	SPACER, RAIL, FELT
120	10009-119	LOCKNUT, FULL, 5/16-18,BLK ZN
121	37297-204	RAIL,PAINTED
122	10005-143	SCREW,BTHD,5/16-18X1-3/4,BLK ZN
123	10008-115	LOCKNUT,HALF,5/16-18,BLK ZN
124	37314-103	PEDAL, FOOT
125	11350-101	SCREW,BTTNHD,SKT C/S,M6X1X10MM
128	44421-101	ASSY, STAIRARM WHEEL, 5.17/521SI
129	38295-205	WELDMENT,BRACKET,FRONT COVER,
130	10400-101	PIN, HITCH, .093 DIA, SILVER C
131	10401-106	PIN,CLEVIS, 3/8 X 1.75, SILVER
133	10009-107	LOCKNUT, FULL, 1/4-20, BLK ZN
134	10003-151	SCREW,SKHD,1/4-20X1, SS,LK
135	11408-103	NUT,LIFT,DELTRIN
136	10003-125	SCREW,SKHD,1/4-20X0.75,BLK ZN,LK
137	10010-127	WASHER, FLT, 1/4X.625X.063,STL
138	38252-201	ASSY,END BRACKET,5.21SI,
139	38448-102	LIFT PIN
140	10716-102	FUSE, DRAWER, 2 POLE, 5X20 MM
141	10010-138	WASHER,FLT,1/4X.625X.063,BLK ZN
144	10043-109	BEARING FLANGE ID-.377,OD-.502
146	10003-130	SCREW,SKHD,#10X32X0.50,BLK ZN,LK
147	11476-102	PIN, RING, LOCKOUT
148	38291-102	ASSY,REAR COVER/LABELS,5.21SI
149	10005-148	SCREW,BTHD,1/4-20X3/4,BLK ZN
150	10005-165	SCREW,BTHD,10-32,.3/4,BLK ZN

Bubble #	OEM Part Number	Part Description
151	10009-106	LOCKNUT, FULL 10-32, ZINC
152	38292-104	COVER,FRONT,5.21SI
153	11423-101	BEARING,BRKT,FRONT CVR,5.21SI
154	38294-202	ASSY,BRKT, TOP,FRONT COVER,PT
156	37930-101	LABEL, CAUTION, HR ASSY, 5.21S
157	38702-102	WASHER, CURVED,OD.875,ID.344,
158	10003-160	SCREW,SKHD,5/16-18X1.25,BLK ZN,LK
159	39346-101	ASSY,CABLE,PCA TO LIFT
160	11109-101	SCREW,PNHD,PHIL,TYPEF,1/4-20X.75,BZ
161	10003-158	SCREW,SKHD,1/4-20X2,BLK ZN,LK
162	38956-501	PLATE,DISPLAY,5.21SI,PT
163	10010-131	WASHER,FLT,1.188-1.0X.027,STL
164	10008-114	LOCKNUT,HALF,3/8-16,ZN
166	10013-102	WASHER, LK-INT, #10, ID=.200,
166	11109-103	SCREW,TCS,#8X7/8,PHIL,BLK ZN
167	38255-101	ASSY,RAMP
169	10010-117	WASHER, FLT,5/16X.500X.065,BLK ZN
170	10139-122	SCREW,MCH,10-32X1/2,FLTHD,PHIL
171	37723-501	INTERCONN CBL, STRAIN RELIEF
192	10139-149	SCREW, MCH,6-32X5/16,FLTHD,PHIL
193	37436-101	LABEL, CHASIS NEUTRAL
195	10021-104	LOCKNUT, STARWASHER, 10-32,
197	43601-101	ASSY,WIRE,GND
198	38826-203	BRACKET,PLUG,PT,EFX,UNIVERSAL
205	10427-140	FUSE,SLOW,2A,250V,1/4"DIA
209	44525-101	ASSY,LITERATURE/HARDWARE KIT,5.21SI
250	38282-102	OWNER'SMANUAL, 5.21SI